

**ARCTIC
CAT[®]**

2006

50 Y-6 Youth -
DVX



Model Number A2006KSA2BUSR (Red)
Model Number A2006KSA2BUSZ (Cat Green)

Illustrated Parts Manual

TABLE OF CONTENTS

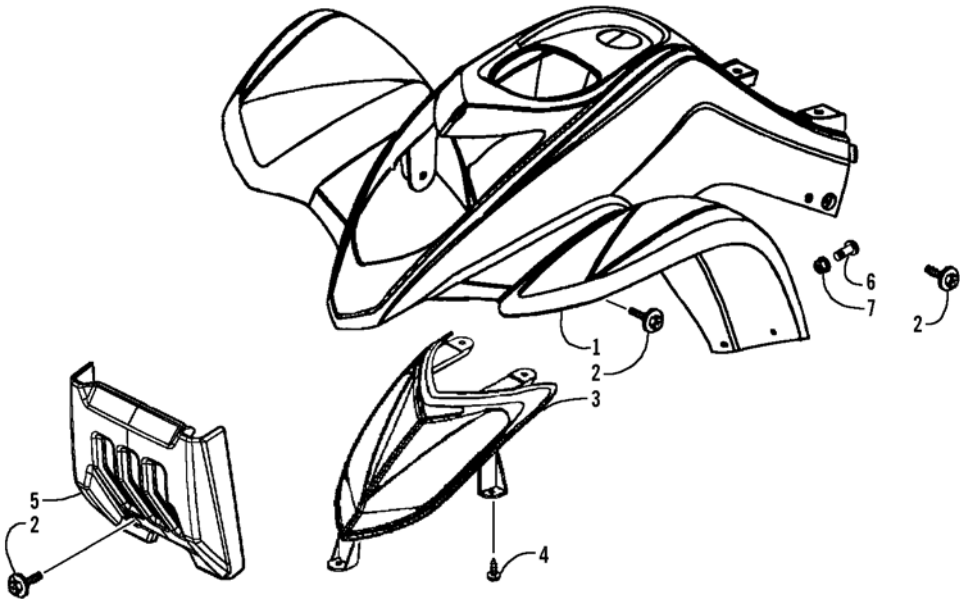
2006 ATV 50 Y-6 Youth - DVX

Red (Model No. A2006KSA2BUSR)

Cat Green (Model No. A2006KSA2BUSZ)

FRONT BODY PANEL ASSEMBLY	1
REAR BODY PANEL ASSEMBLY	2
DECALS	3
FRAME AND RELATED PARTS ASSEMBLY	4
KICK STARTER AND PROTECTOR ASSEMBLY	5
HANDLEBAR AND CONTROL ASSEMBLY	6
HYDRAULIC HAND BRAKE ASSEMBLY	7
STEERING POST ASSEMBLY	8
FRONT WHEEL AND BRAKE ASSEMBLIES	9
REAR WHEEL, AXLE, AND BRAKE ASSEMBLIES	10
SUSPENSION ASSEMBLY	11
ELECTRICAL AND WIRING HARNESS ASSEMBLY	12
BATTERY ASSEMBLY	13
SEAT AND TOOL KIT ASSEMBLY	14
GAS TANK ASSEMBLY	15
TAILLIGHT ASSEMBLY	16
AIR INTAKE ASSEMBLY	17
EXHAUST ASSEMBLY	18
CARBURETOR ASSEMBLY	19
PISTON ASSEMBLY	20
CYLINDER HEAD ASSEMBLY	21
CRANKCASE COVER ASSEMBLY	22
CRANKCASE ASSEMBLY	23
CLUTCH ASSEMBLIES	24
TRANSMISSION ASSEMBLY	25
STARTER MOTOR AND OIL PUMP ASSEMBLIES	26
STATOR, FLYWHEEL, AND ENGINE SHROUD ASSEMBLIES	27
RELATED ITEMS	Back Cover

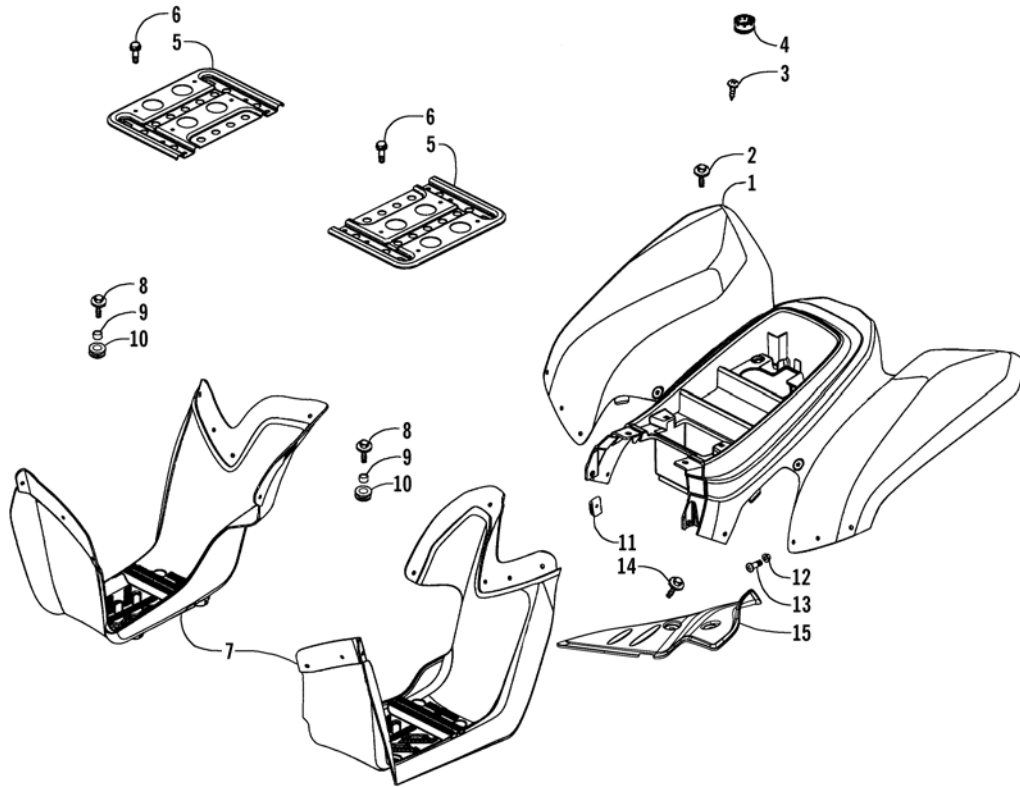
■ **NOTE:** The illustrations used in this Parts Manual are for reference to replacement part numbers only and are not to be used for assembly. For assembly procedures, use an Arctic Cat Service Manual. Underlined part numbers are new for the 2006 model year.



FRONT BODY PANEL ASSEMBLY

0740-521

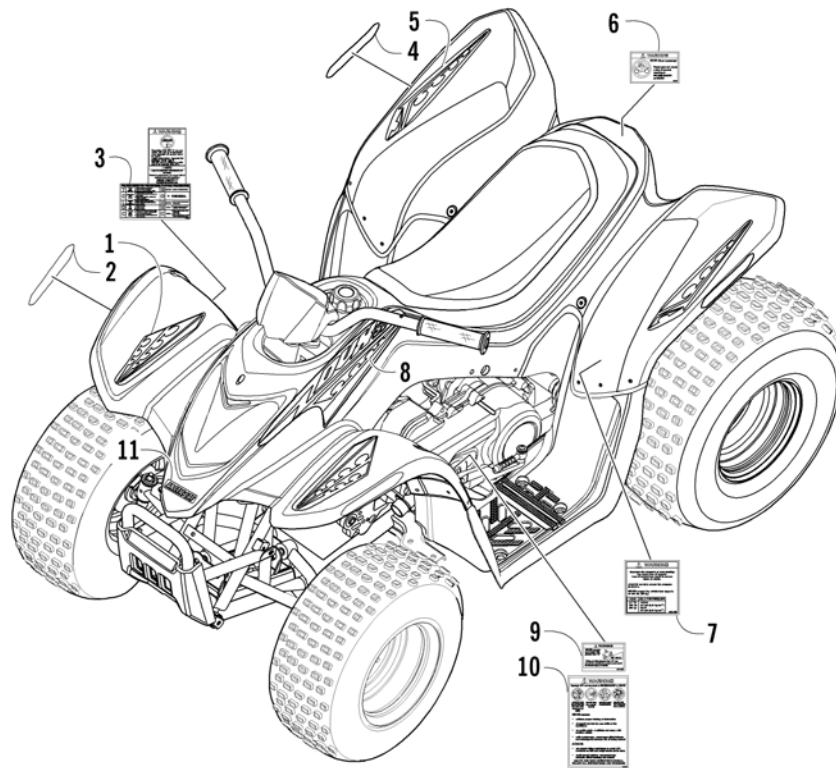
Ref.	Part No.	Qty.	Description	Ref.	Part No.	Qty.	Description
1	<u>3303-450</u>	1	Fender - Front - Red	4	<u>3303-323</u>	5	Screw, Self-Tapping
	<u>3303-451</u>	1	Fender - Front - Cat Green (Cat Green)	5	<u>3303-575</u>	1	Cover, Front Bumper
2	<u>3303-311</u>	8	Bolt w/Washer	6	<u>3303-251</u>	8	Screw
3	<u>3303-452</u>	1	Cover, Front - Red	7	<u>3303-331</u>	8	Nut, Flange - 6 mm
	<u>3303-453</u>	1	Cover, Front - Cat Green (Cat Green)				



REAR BODY PANEL ASSEMBLY

0740-528

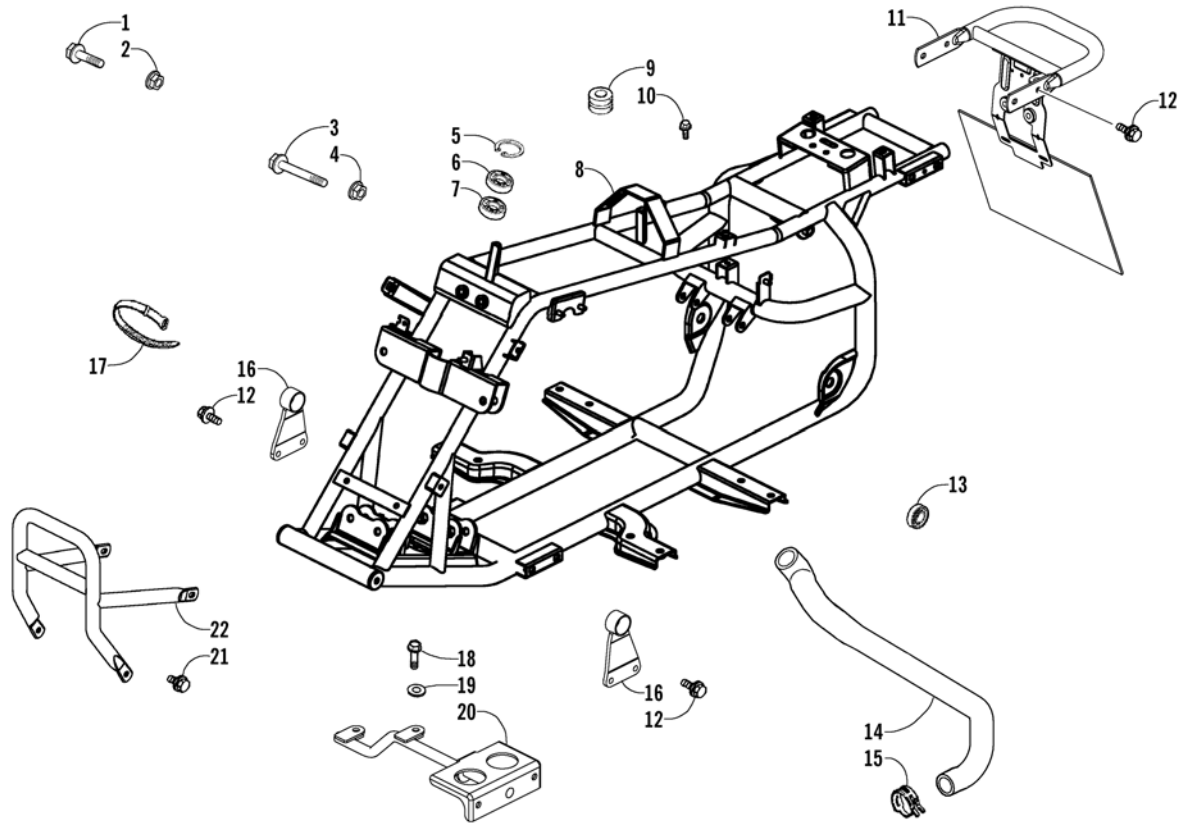
Ref.	Part No.	Qty.	Description	Ref.	Part No.	Qty.	Description
1	<u>3303-454</u>	1	Fender, Body - Rear - Red	8	<u>3303-312</u>	8	Bolt w/Washer
	<u>3303-455</u>	1	Fender, Body - Rear - Cat Green (Cat Green)	9	<u>3303-233</u>	8	Collar, Floor
2	<u>3303-313</u>	3	Bolt w/Washer	10	<u>3303-227</u>	8	Rubber, Wind Screen
3	<u>3303-323</u>	2	Screw, Self-Tapping	11	<u>3303-267</u>	2	Nut, Clip
4	<u>3303-232</u>	2	Rubber, Rear Fender	12	<u>3303-331</u>	10	Nut, Flange
5	<u>3303-186</u>	2	Reinforcement, Floor	13	<u>3303-251</u>	10	Screw
6	<u>3303-366</u>	8	Bolt, Flange	14	<u>3303-311</u>	2	Bolt w/Washer
7	<u>3303-234</u>	1	Mudguard, Assembly - Right	15	<u>3303-237</u>	1	Cover, Side - Assembly
	<u>3303-235</u>	1	Mudguard, Assembly - Left				



DECALS

0740-627

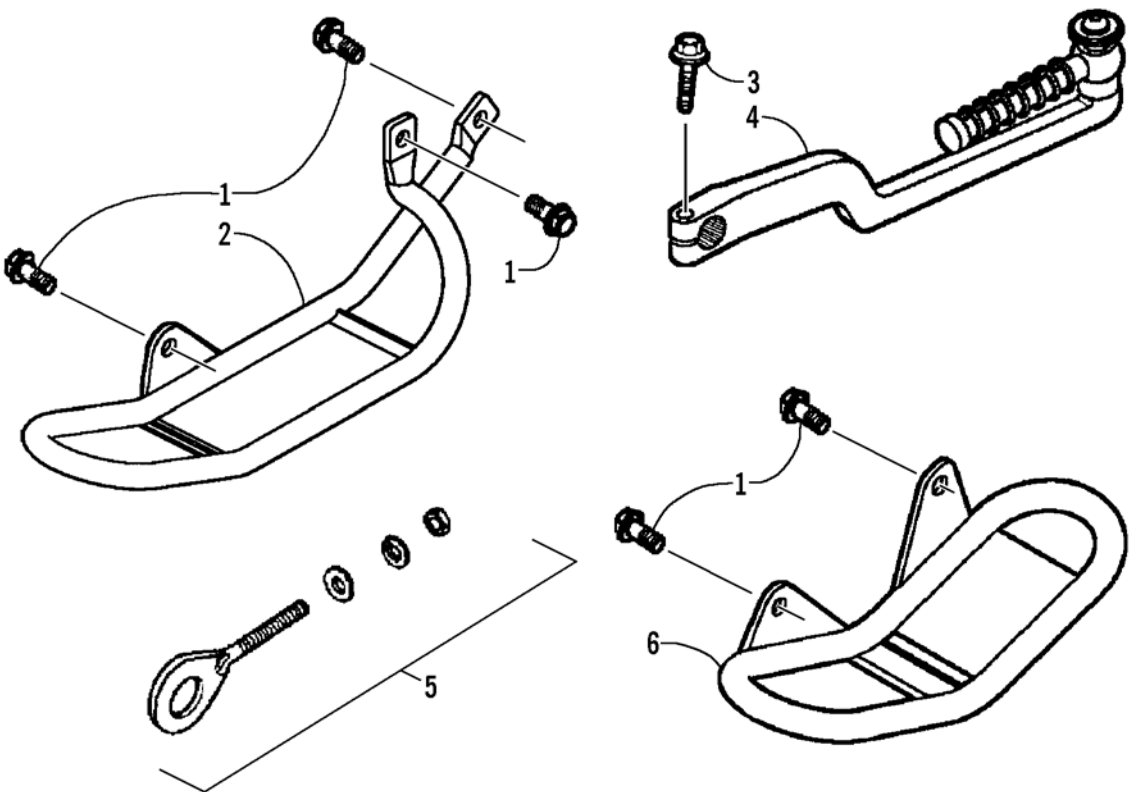
Ref.	Part No.	Qty.	Description	Ref.	Part No.	Qty.	Description
1	<u>1411-090</u>	1	Decal, Graphic - Front Fender - Right	6	0411-435	1	Decal, Warning - Passenger
	<u>1411-091</u>	1	Decal, Graphic - Front Fender - Left	7	0411-455	1	Decal, Warning - Tire/Load
	<u>1411-092</u>	1	Decal, Graphic - Front Fender - Right (Cat Green)	8	<u>1411-082</u>	1	Decal, Graphic - Side - Right
	<u>1411-093</u>	1	Decal, Graphic - Front Fender - Left (Cat Green)		<u>1411-083</u>	1	Decal, Graphic - Side - Left
2	<u>1411-100</u>	2	Reflector, Front		<u>1411-084</u>	1	Decal, Graphic - Side - Right (Cat Green)
3	<u>1411-229</u>	1	Decal, Warning - Reverse/Pre-Ride		<u>1411-085</u>	1	Decal, Graphic - Side - Left (Cat Green)
4	<u>1411-101</u>	2	Reflector, Rear	9	0411-836	1	Decal, Warning - Hill
5	<u>1411-086</u>	1	Decal, Graphic - Rear Fender - Right	10	0411-218	1	Decal, Warning - General
	<u>1411-087</u>	1	Decal, Graphic - Rear Fender - Left	11	<u>1411-067</u>	1	Decal, Graphic - Front
	<u>1411-088</u>	1	Decal, Graphic - Rear Fender - Right (Cat Green)		<u>1411-118</u>	1	Decal, Graphic - Front (Cat Green)
	<u>1411-089</u>	1	Decal, Graphic - Rear Fender - Left (Cat Green)				



FRAME AND RELATED PARTS ASSEMBLY

0740-529

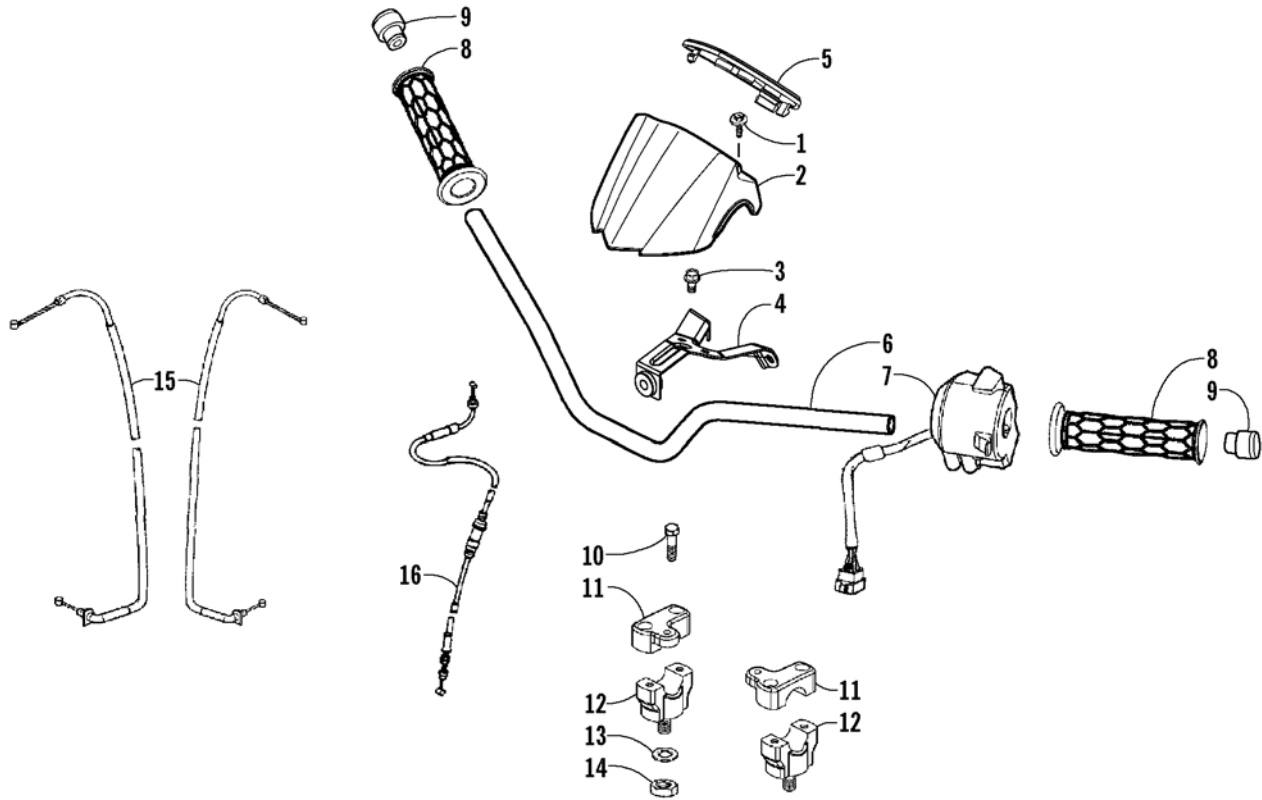
Ref.	Part No.	Qty.	Description	Ref.	Part No.	Qty.	Description
1	3303-616	2	Bolt, Flange	13	3303-392	1	Bearing
2	3303-269	2	Nut, Flange	14	3303-477	1	Hose, Duct
3	3303-378	2	Bolt, Flange	15	3303-074	1	Clamp, Hose
4	3303-265	2	Nut, Flange	16	3303-183	1	Bracket, Engine Hanger - Right
5	3303-347	1	Circlip	16	3303-184	1	Bracket, Engine Hanger - Left
6	3303-295	1	Seal, Oil	17	3303-289	1	Cable Tie
7	3303-298	1	Seal, Oil	18	3303-357	2	Bolt, Flange
8	3303-181	1	Body Frame, Complete	19	3303-238	2	Rubber, Engine - Rear
9	3303-239	2	Rubber, Taillight	20	3303-570	1	Bracket, Side Cover
10	3303-308	1	Bolt, Hex	21	3303-365	4	Bolt, Flange
11	3303-577	1	Grip, Rear - Assembly	22	3303-442	1	Bumper, Front
12	3303-366	8	Bolt, Flange				



KICK STARTER AND PROTECTOR ASSEMBLY

0740-512

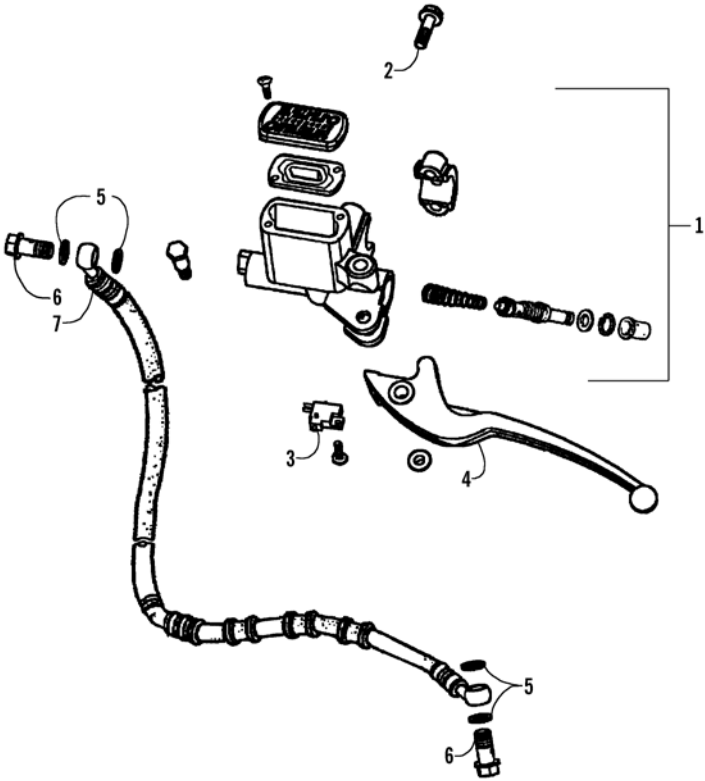
Ref.	Part No.	Qty.	Description	Ref.	Part No.	Qty.	Description
1	<u>3303-373</u>	5	Bolt, Flange	4	<u>3303-549</u>	1	Arm, Kick Starter - Assembly
2	<u>3303-146</u>	1	Protector, Chain	5	<u>3303-147</u>	1	Adjuster, Drive Train - Assembly
3	<u>3303-359</u>	2	Bolt, Flange	6	<u>3303-155</u>	1	Protector, Rear Brake



HANDLEBAR AND CONTROL ASSEMBLY

0740-619

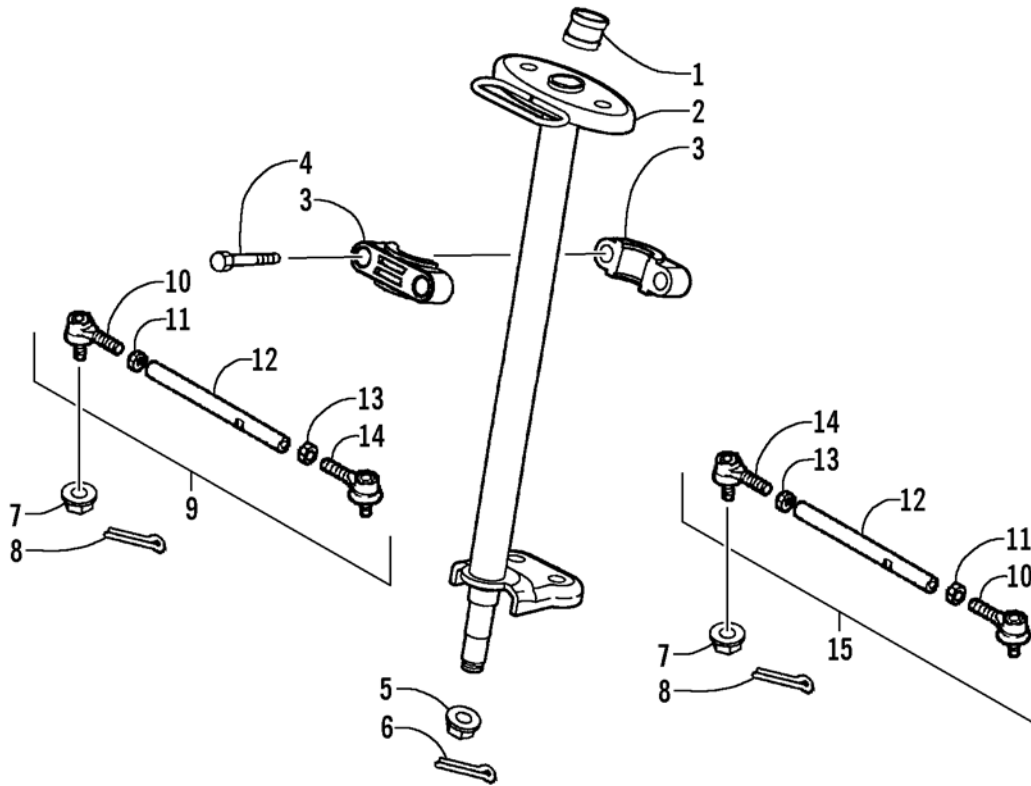
Ref.	Part No.	Qty.	Description	Ref.	Part No.	Qty.	Description
1	3303-263	2	Bolt w/Washer	10	3303-398	4	Bolt
2	3303-436	1	Cover, Handlebar	11	3303-197	1	Holder, Handlebar - Right
3	3303-357	2	Bolt, Flange		3303-198	1	Holder, Handlebar - Left
4	3303-435	1	Bracket, Handlebar Cover	12	3303-199	2	Holder, Handlebar - Lower
5	3303-437	1	Lid, Handlebar Cover	13	3303-336	2	Washer
6	3303-434	1	Handlebar	14	3303-325	2	Nut, Hex
7	3303-424	1	Switch, Handlebar - Left - Assembly	15	3303-173	2	Cable, Brake - Front
8	3303-203	2	Grip, Handlebar	16	3303-513	1	Cable, Throttle
9	3303-196	2	End Cap, Handlebar				



HYDRAULIC HAND BRAKE ASSEMBLY

0740-519

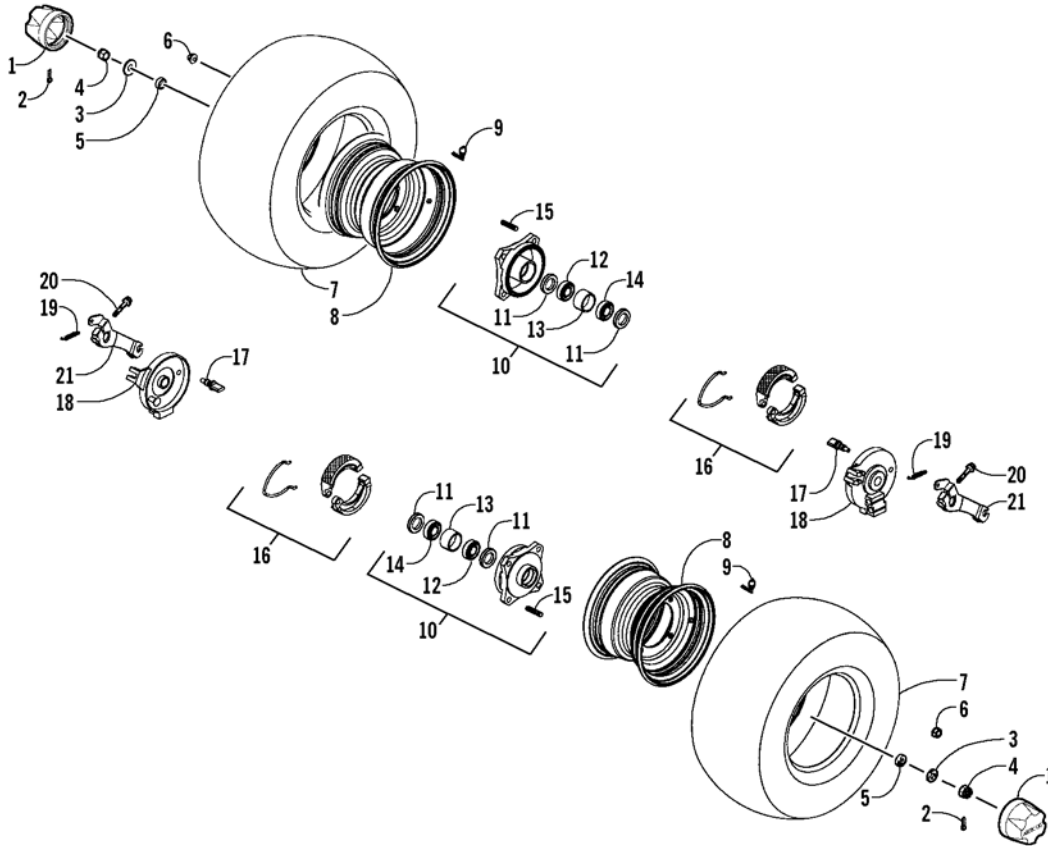
Ref.	Part No.	Qty.	Description	Ref.	Part No.	Qty.	Description
1	<u>3303-163</u>	1	Brake, Master Cylinder - Assembly	5	<u>3303-284</u>	4	Washer, Crush
2	<u>3303-359</u>	2	Bolt, Flange	6	<u>3303-257</u>	2	Bolt, Banjo Fitting
3	<u>3303-141</u>	1	Switch Assembly	7	<u>3303-160</u>	1	Hose, Brake - Assembly
4	<u>3303-206</u>	1	Lever				



STEERING POST ASSEMBLY

0740-505

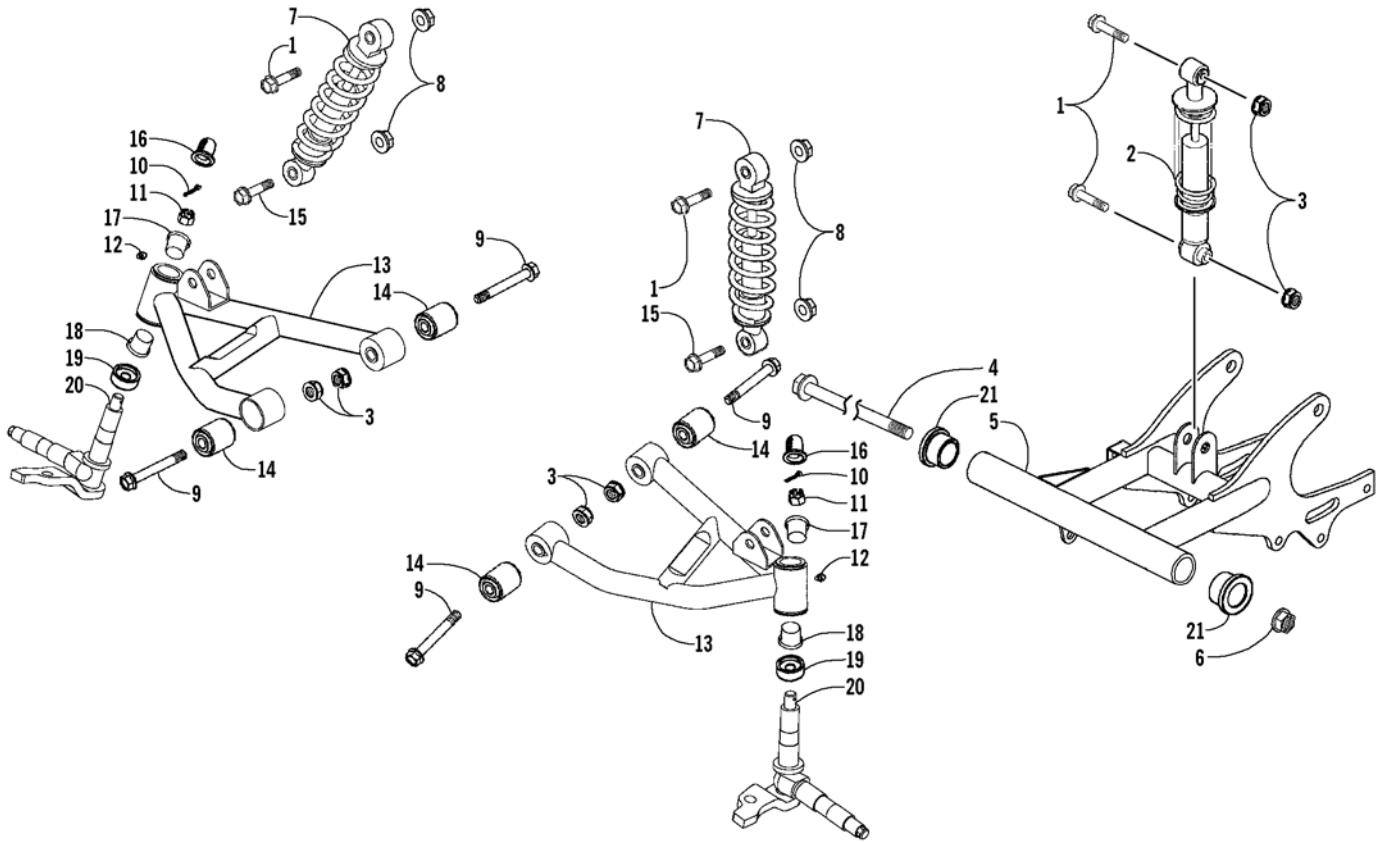
Ref.	Part No.	Qty.	Description	Ref.	Part No.	Qty.	Description
1	<u>3303-214</u>	1	Sleeve, Steering Post	10	<u>3303-223</u>	2	¥ Ball Joint, Tie Rod - Right
2	<u>3303-572</u>	1	Post, Steering	11	<u>3303-327</u>	2	¥ Nut, Hex
3	<u>3303-213</u>	2	Holder, Steering Post	12	<u>3303-222</u>	2	¥ Tie Rod
4	<u>3303-372</u>	2	Bolt, Flange	13	<u>3303-326</u>	2	¥ Nut, Hex
5	<u>3304-032</u>	1	Nut	14	<u>3303-224</u>	2	¥ Ball Joint, Tie Rod - Left
6	<u>3303-470</u>	1	Pin, Cotter	15	<u>3303-449</u>	1	Tie Rod Assembly - Left (inc. one No. 10-14)
7	<u>3303-266</u>	4	Nut, Flange				
8	<u>3303-621</u>	4	Pin, Cotter				
9	<u>3303-448</u>	1	Tie Rod Assembly - Right (inc. one No. 10-14)				



FRONT WHEEL AND BRAKE ASSEMBLIES

0740-520 *Not a Service Part

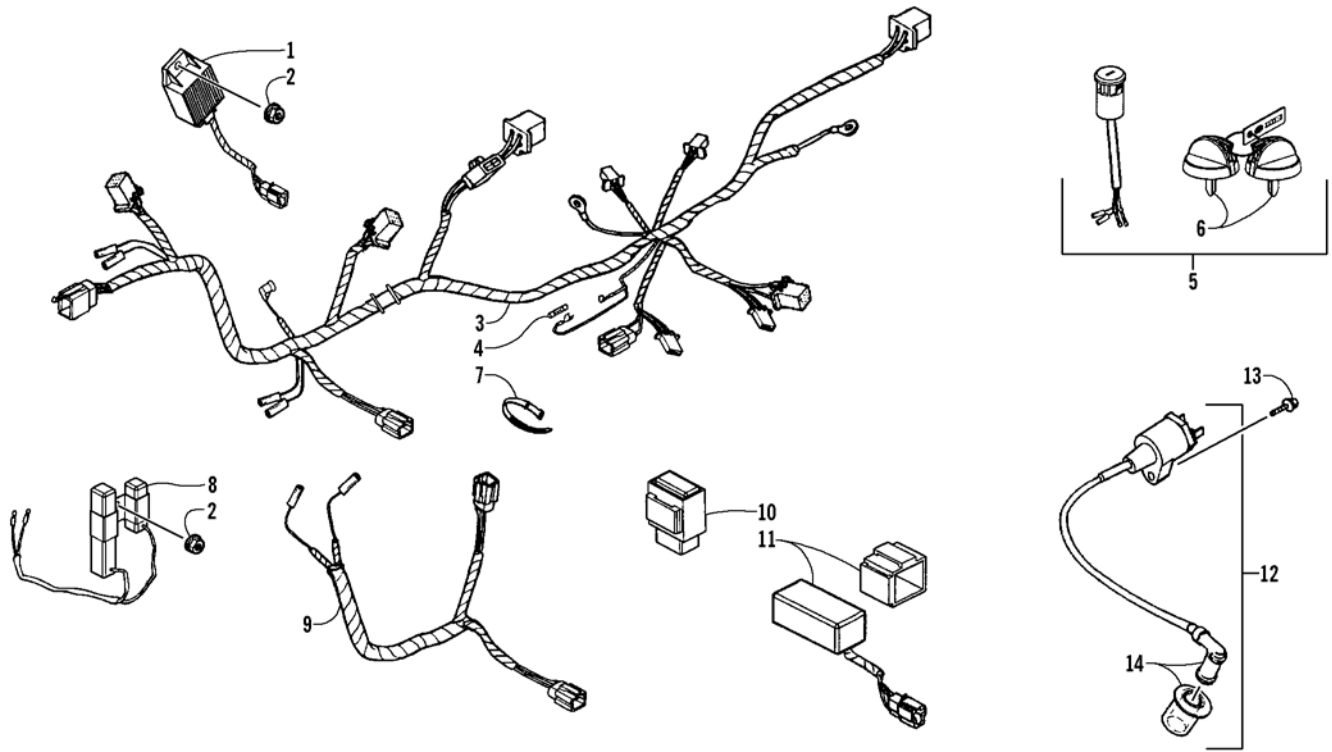
Ref.	Part No.	Qty.	Description	Ref.	Part No.	Qty.	Description
1	<u>3303-430</u>	2	Cap, Wheel Shaft	13	<u>3303-445</u>	2	¥ Collar, Front Disc
2	<u>3303-470</u>	2	Pin, Cotter	14	<u>3303-467</u>	1	¥ Bearing, Ball - Radial
3	<u>3303-279</u>	2	Washer - 12 mm	15	<u>3303-463</u>	4	¥ Bolt, Stud
4	<u>3303-330</u>	2	Nut, Flange Castle	16	<u>3303-169</u>	2	Shoe, Front - Assembly
5	<u>3303-164</u>	2	Collar, Wheel - Front	17	<u>3303-170</u>	2	Cam, Front Brake
6	<u>3303-266</u>	8	Nut, Flange	18	<u>3303-168</u>	1	Panel - Front - Right
7	<u>3303-569</u>	2	Tire - Assembly		<u>3303-176</u>	1	Panel - Front - Left
8	<u>3304-524</u>	2	Rim - Assembly (inc. 9)	19	<u>3303-172</u>	2	Spring, Return
9	*	2	¥ Valve, Rim	20	<u>3303-355</u>	2	Bolt, Flange
10	<u>3303-165</u>	2	Hub, Front - Assembly (inc. 11-15)	21	<u>3303-171</u>	1	Arm, Brake - Right
11	<u>3303-456</u>	2	¥ Seal, Dust		<u>3303-177</u>	1	Arm, Brake - Left
12	<u>3303-468</u>	2	¥ Bearing, Ball - Radial				



SUSPENSION ASSEMBLY

0740-624

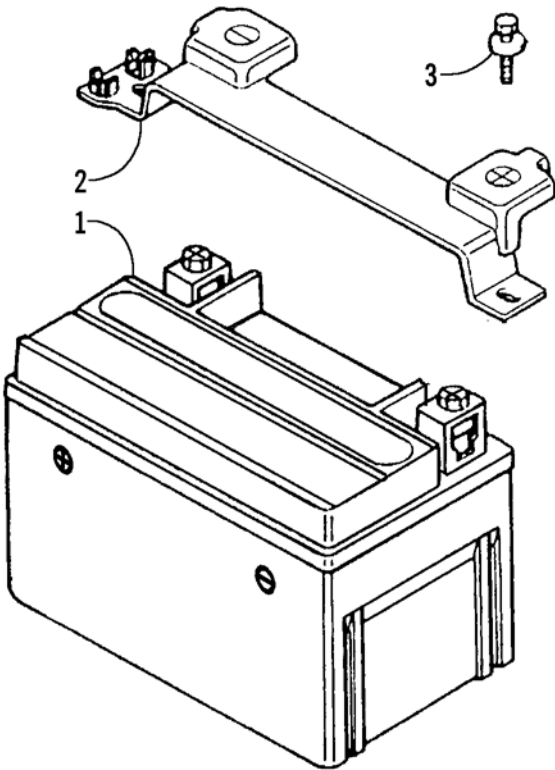
Ref.	Part No.	Qty.	Description	Ref.	Part No.	Qty.	Description
1	3303-376	4	Bolt, Flange	13	3303-438	1	Arm, Swing - Set - Front Right (inc. 14)
2	3303-433	1	Shock, Rear - Assembly		3303-439	1	Arm, Swing - Set - Front Left (inc. 14)
3	3303-265	6	Nut, Flange	14	3303-216	4	¥ Bushing, Swing Arm
4	3303-150	1	Axle, Rear Fork	15	3303-309	2	Bolt, Hex
5	3303-432	1	Fork, Rear - Assembly	16	3303-219	2	Cap, Swing Arm
6	3304-032	1	Nut	17	3303-218	2	Bushing, Swing Arm - Top
7	3303-431	2	Shock, Front - Assembly	18	3303-217	2	Bushing, Swing Arm - Bottom
8	3303-333	4	Nut, Flange	19	3303-220	2	Seal, Swing Arm
9	3303-377	4	Bolt, Flange	20	3303-178	1	Shaft, Steering - Right
10	3303-337	2	Pin, Cotter		3303-180	1	Shaft, Steering - Left
11	3303-329	2	Nut, Flange Castle	21	3303-191	2	Bushing, Rear Fork
12	3303-393	2	Fitting, Grease				



ELECTRICAL AND WIRING HARNESS ASSEMBLY

0740-527 *Not a Service Part

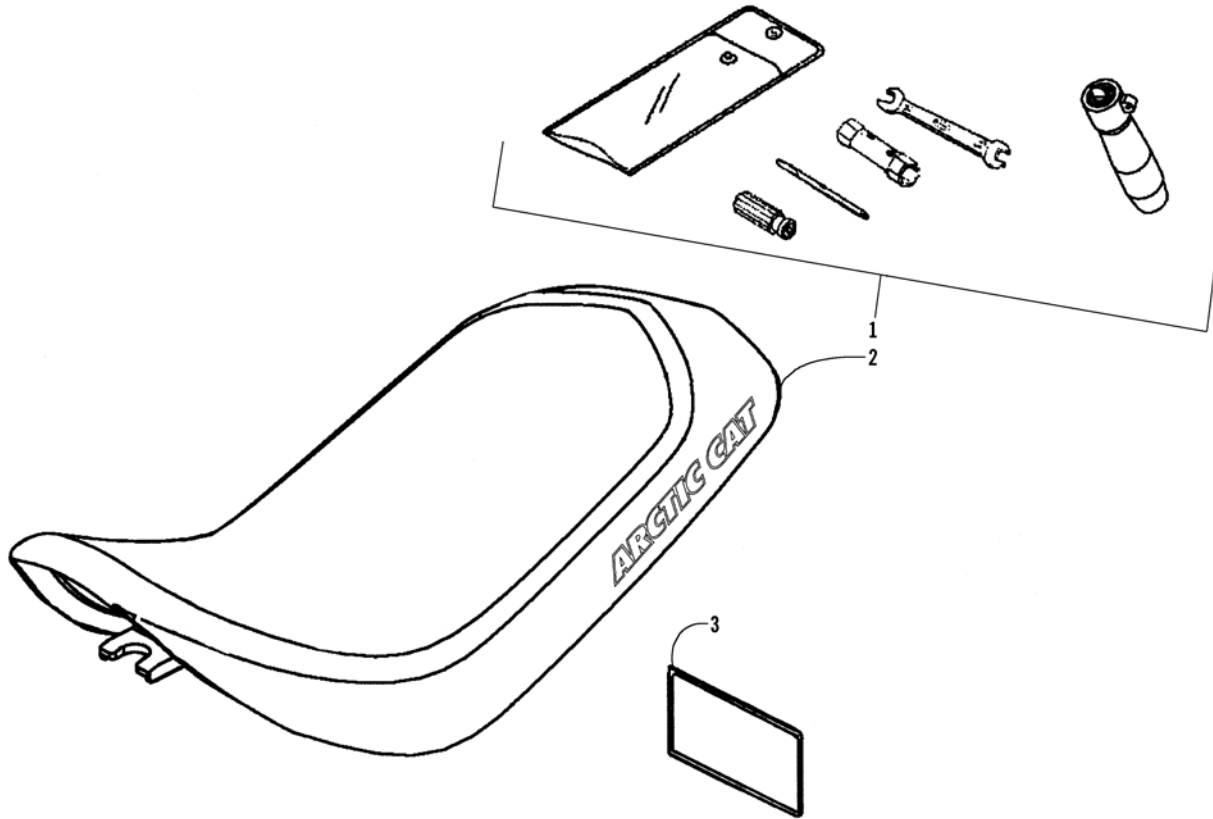
Ref.	Part No.	Qty.	Description	Ref.	Part No.	Qty.	Description
1	3303-132	1	Regulator, Voltage	8	3303-142	1	Resistor
2	3303-331	2	Nut, Flange	9	3303-562	1	Sub-Cord
3	3303-561	1	Harness, Main (inc. 4)	10	3303-565	1	Relay, Starter
4	3303-399	2	¥ Fuse	11	3303-550	1	CDI Assembly and Speed Control
5	3303-423	1	Key - Set (inc. 6)	12	3303-125	1	Coil Assembly - Ignition (inc. 13-14)
6	*	1	¥ Key	13	3303-252	1	¥ Bolt, Flange
7	3304-060	4	Cable Tie	14	3303-126	1	¥ Cap, Noise Suppressor - Assembly



BATTERY ASSEMBLY

0740-507

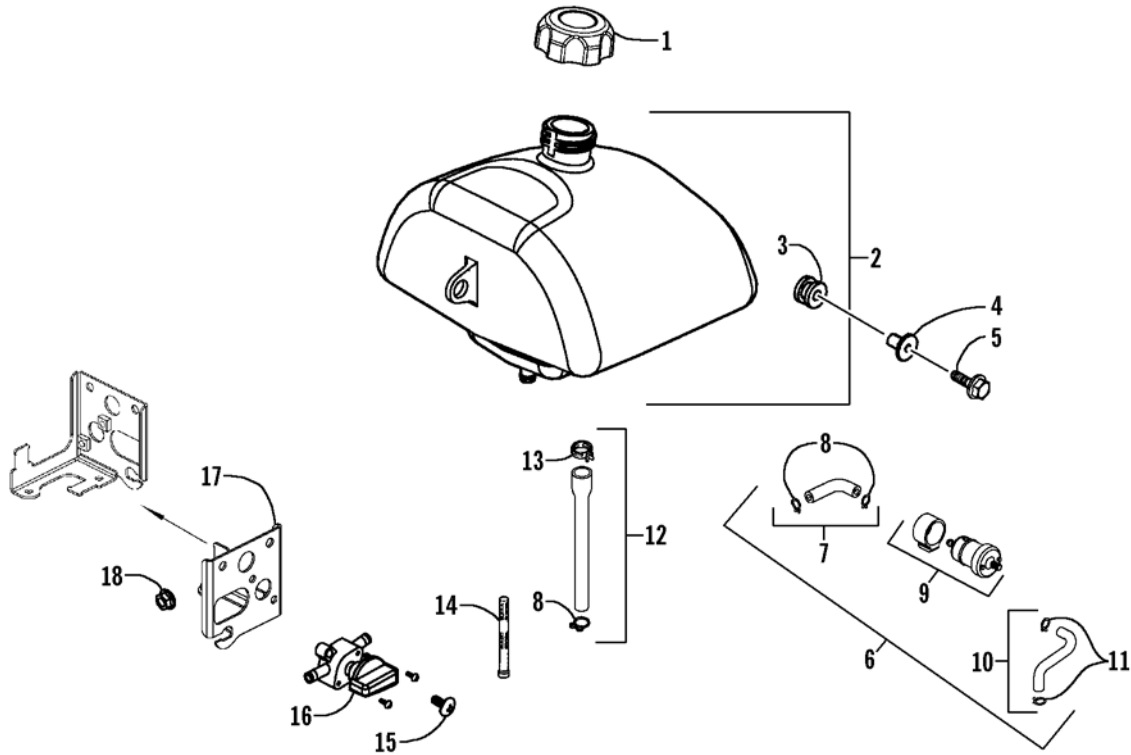
Ref.	Part No.	Qty.	Description	Ref.	Part No.	Qty.	Description
1	<u>3303-131</u>	1	Battery	3	<u>3303-263</u>	2	Bolt w/Washer
2	<u>3303-182</u>	1	Band, Battery				



SEAT AND TOOL KIT ASSEMBLY

0740-524

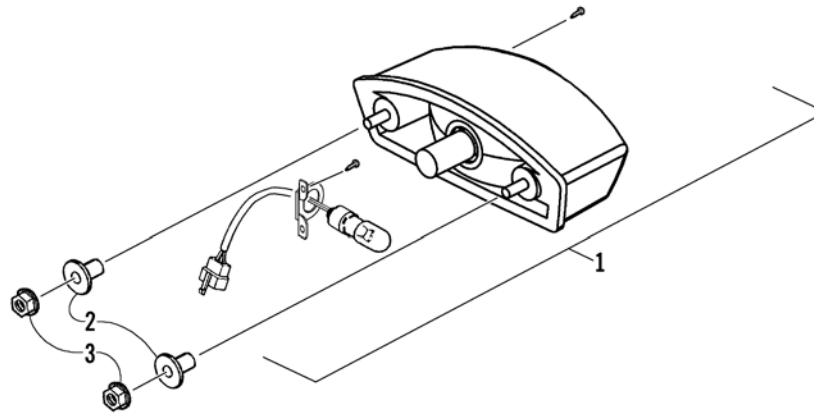
Ref.	Part No.	Qty.	Description	Ref.	Part No.	Qty.	Description
1	<u>3303-578</u>	1	Tool - Kit	3	<u>3303-242</u>	1	Band, Tool Kit
2	<u>3303-441</u>	1	Seat - Assembly				



GAS TANK ASSEMBLY

0740-506 *Not a Service Part

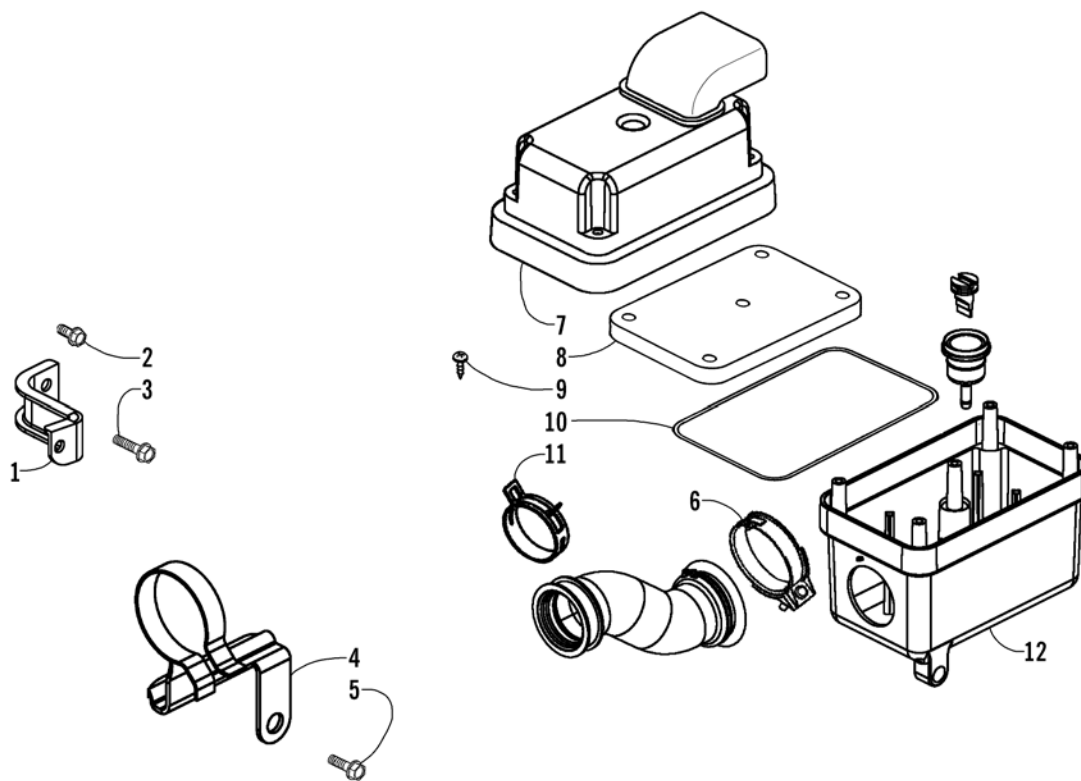
Ref.	Part No.	Qty.	Description	Ref.	Part No.	Qty.	Description
1	3303-067	1	Cap, Gas Tank - Assembly	11	3303-348	2	¥ ¥ Clip
2	3303-065	1	Gas Tank - Assembly	12	3303-066	1	Tube, Gas - Assembly (inc. one No. 8 and 13)
3	3303-406	2	Rubber, Gas Tank	13	3303-351	1	¥ Clamp
4	3303-226	2	Collar, Front Fender	14	3303-058	1	Screen, Fuel Strainer
5	3303-619	2	Bolt, Flange	15	3303-316	2	Screw
6	3303-056	1	Strainer, Fuel - Assembly (inc. 7-11)	16	3303-057	1	Valve, Shut-Off
7	3303-353	1	¥ Tube, Gas - Assembly (inc. two No. 8)	17	3303-070	1	Bracket, Shut-Off Valve
8	3303-349	3	¥ ¥ Clip	18	3303-331	2	Nut, Flange
9	*	1	¥ Strainer, Fuel				
10	3303-610	1	¥ Tube, Gas - Assembly (inc. 11)				



TAILLIGHT ASSEMBLY

0740-625

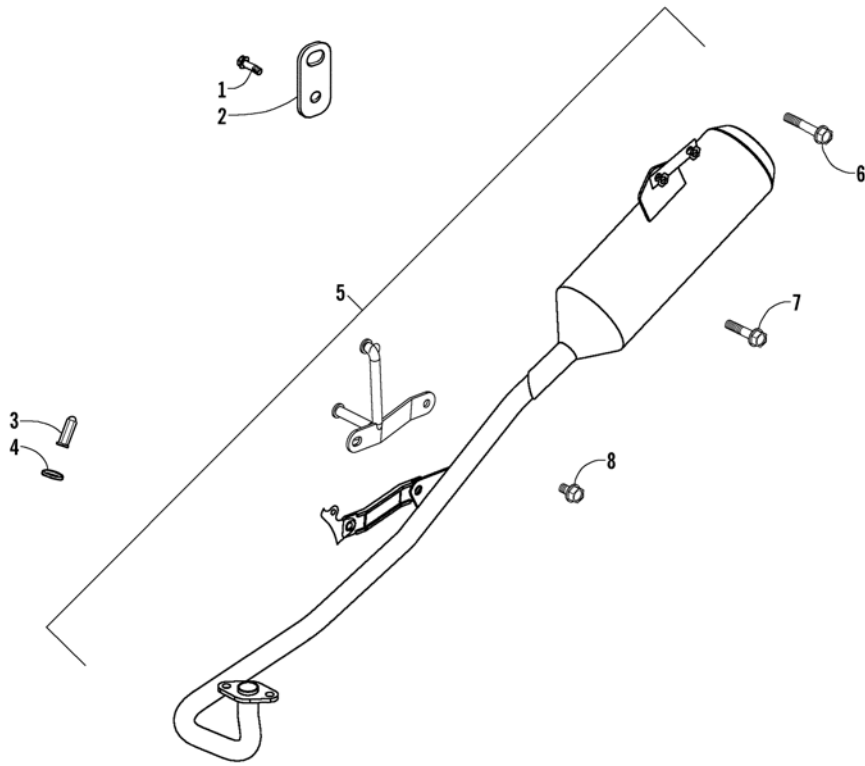
Ref.	Part No.	Qty.	Description	Ref.	Part No.	Qty.	Description
1	<u>3303-420</u>	1	Taillight - Assembly	3	<u>3303-331</u>	2	Nut, Flange
2	<u>3303-226</u>	2	Collar, Front Fender				



AIR INTAKE ASSEMBLY

0740-508

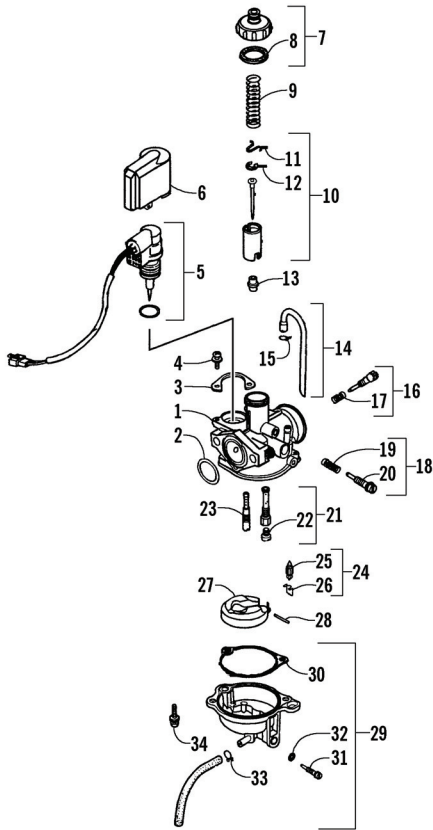
Ref.	Part No.	Qty.	Description	Ref.	Part No.	Qty.	Description
1	<u>3303-005</u>	1	Bracket, Mounting	7	<u>3303-062</u>	1	Cover, Air Cleaner
2	<u>3303-357</u>	1	Bolt, Flange	8	<u>3303-060</u>	1	Element, Air Cleaner
3	<u>3303-361</u>	1	Bolt, Flange	9	<u>3303-322</u>	5	Screw, Self-Tapping
4	<u>3303-287</u>	1	Clamp	10	<u>3303-063</u>	1	Seal, Air Cleaner
5	<u>3303-385</u>	1	Bolt, Flange	11	<u>3303-592</u>	1	Clamp
6	<u>3303-288</u>	1	Clamp	12	<u>3303-061</u>	1	Case, Air Cleaner



EXHAUST ASSEMBLY

0740-623

Ref.	Part No.	Qty.	Description	Ref.	Part No.	Qty.	Description
1	<u>3303-366</u>	1	Bolt, Flange	5	<u>3303-514</u>	1	Muffler - Assembly
2	<u>3303-073</u>	1	Bracket, Muffler	6	<u>3303-369</u>	1	Bolt, Flange
3	<u>3303-585</u>	2	Nut, Cap - 6 mm	7	<u>3303-374</u>	1	Bolt, Flange
4	<u>3303-071</u>	2	Gasket, Exhaust Pipe	8	<u>3303-364</u>	1	Bolt, Flange

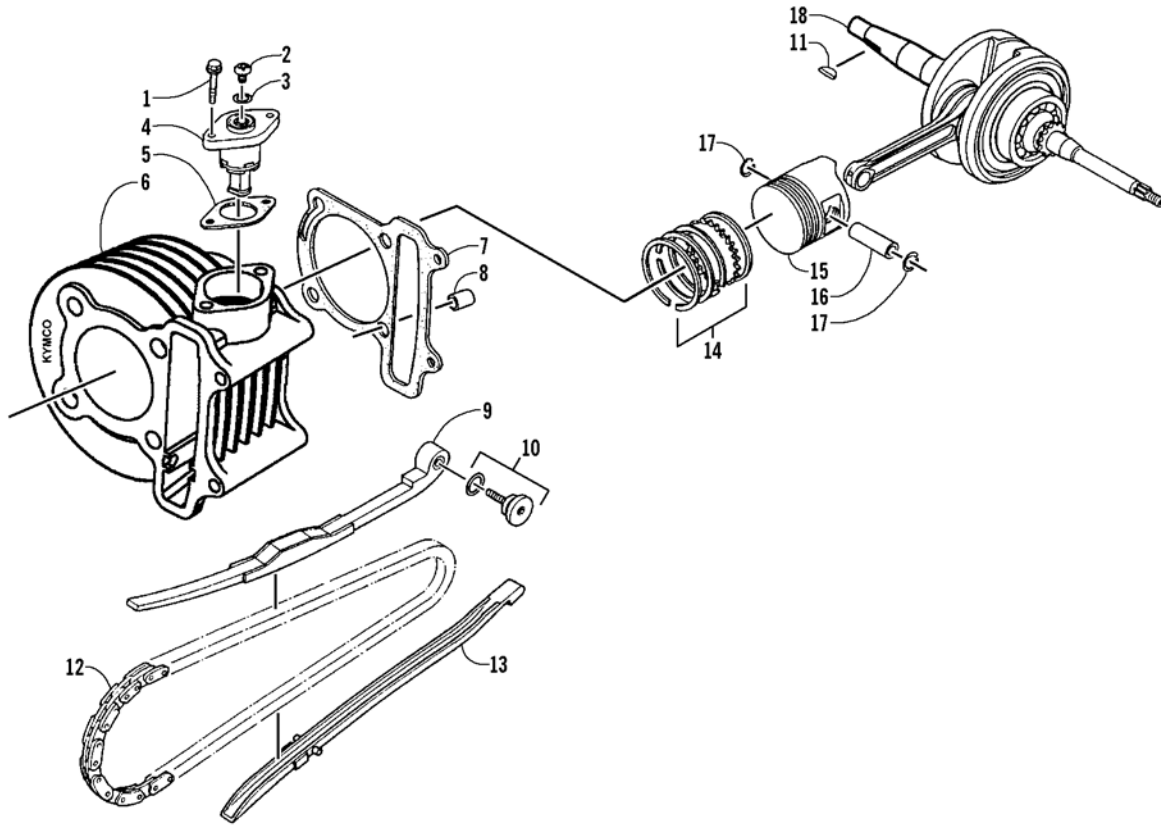


CARBURETOR ASSEMBLY

(Complete Carburetor Assembly p/n 3304-492)

0741-045 *Not a Service Part

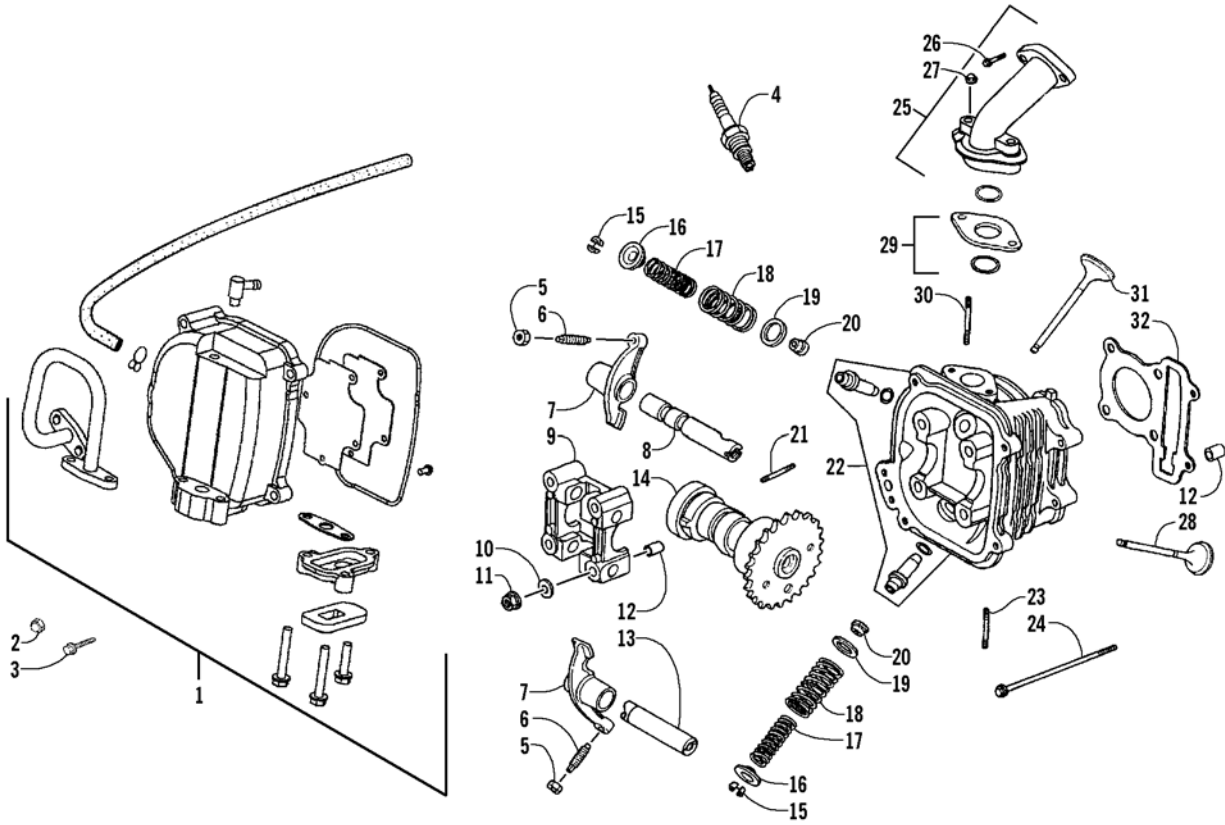
Ref.	Part No.	Qty.	Description	Ref.	Part No.	Qty.	Description
1	*	1	Body, Carburetor	19	<u>3304-232</u>	1	¥ Spring, Compression
2	<u>3304-488</u>	1	O-Ring	20	<u>3304-478</u>	1	¥ Screw, Stop
3	<u>3304-471</u>	1	Set Plate	21	<u>3304-480</u>	1	Holder, Needle Jet - Assembly (inc. 22)
4	<u>3303-319</u>	2	Screw w/Washer	22	<u>3304-481</u>	1	¥ Jet, Main
5	<u>3304-470</u>	1	Automatic Bypass/Starter Assembly	23	<u>3304-489</u>	1	Jet, Slow
6	<u>3304-469</u>	1	Holder, Cap	24	<u>3304-490</u>	1	Valve, Float - Assembly (inc. 25-26)
7	<u>3304-462</u>	1	Set, Top (inc. 8)	25	<u>3304-483</u>	1	¥ Valve, Float - Set
8	<u>3304-463</u>	1	¥ Gasket, Top	26	<u>3304-484</u>	1	¥ Clip
9	<u>3304-464</u>	1	Spring, Compression	27	<u>3304-491</u>	1	Float Assembly
10	<u>3304-467</u>	1	Valve, Throttle - Assembly (inc. 11-12)	28	<u>3304-485</u>	1	Pin, Float Arm
11	<u>3304-465</u>	1	¥ Plate, Needle Clip	29	<u>3304-486</u>	1	Body, Float Chamber - Assembly (inc. 30-33)
12	<u>3304-466</u>	1	¥ Clip, Needle	30	*	1	¥ Gasket
13	<u>3304-468</u>	1	Needle Jet	31	<u>3304-243</u>	1	¥ Screw, Drain
14	<u>3304-472</u>	1	Tube, Rubber - Assembly (inc. 15)	32	<u>3304-239</u>	1	¥ O-Ring
15	<u>3304-474</u>	1	¥ Clip, Tube	33	<u>3304-452</u>	1	¥ Clip, Tube
16	<u>3304-475</u>	1	Screw, Adjustment - Assembly (inc. 17)	34	<u>3303-320</u>	2	Screw w/Washer
17	<u>3304-476</u>	1	¥ Spring, Compression				
18	<u>3304-477</u>	1	Screw, Stop - Assembly (inc. 19-20)				



PISTON ASSEMBLY

0740-495 *Not a Service Part

Ref.	Part No.	Qty.	Description	Ref.	Part No.	Qty.	Description
1	<u>3303-617</u>	2	Bolt, Flange	10	<u>3303-036</u>	1	Pivot, Cam Chain Tensioner
2	*	1	Screw	11	<u>3303-290</u>	1	Key
3	*	1	O-Ring	12	<u>3303-494</u>	1	Cam Chain
4	<u>3303-499</u>	1	Adjuster, Cam Chain	13	<u>3303-503</u>	1	Guide, Cam Chain
5	<u>3303-501</u>	1	Gasket, Cam Chain Adjuster	14	<u>3303-491</u>	1	Ring, Piston - Set
6	<u>3303-483</u>	1	Cylinder A	15	<u>3303-492</u>	1	Piston
7	<u>3303-484</u>	1	Gasket, Cylinder A	16	*	1	Pin, Piston
8	<u>3303-594</u>	2	Pin, Dowel	17	<u>3303-027</u>	2	Clip, Piston Pin
9	<u>3303-498</u>	1	Tensioner, Cam Chain	18	<u>3303-490</u>	1	Crankshaft



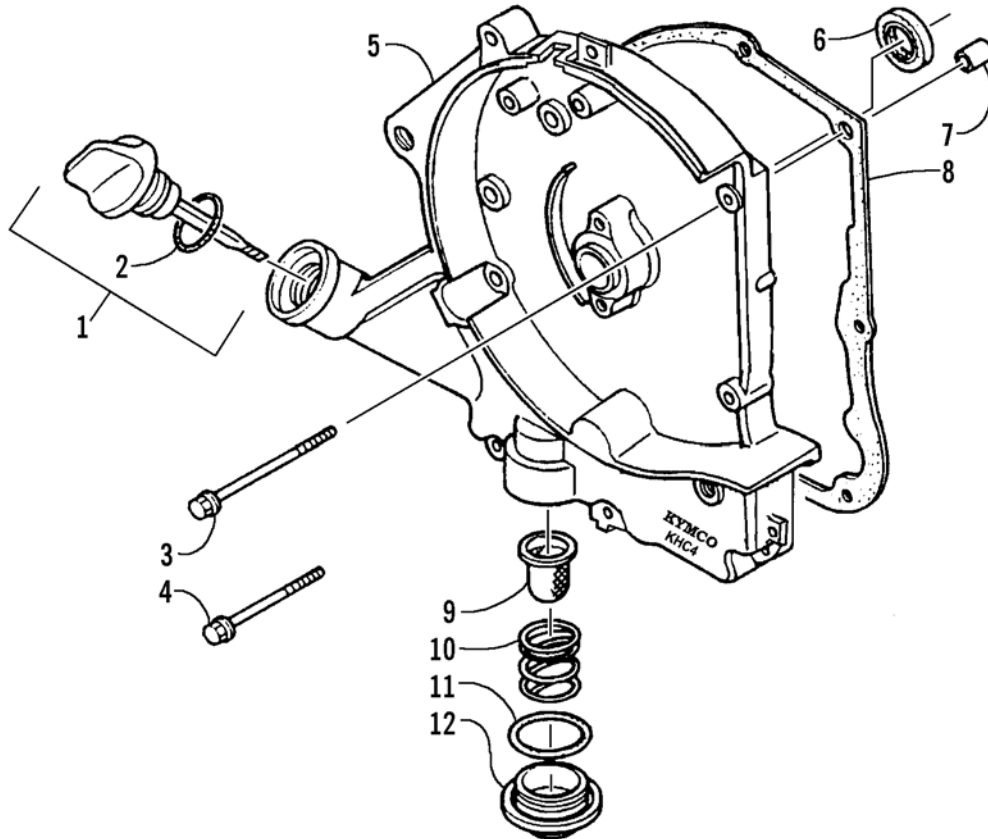
CYLINDER HEAD ASSEMBLY

AC10AA (Complete Engine Assembly p/n 3303-624)*

0740-614

Ref.	Part No.	Qty.	Description	Ref.	Part No.	Qty.	Description
1	<u>3303-488</u>	1	Cover, Head - Assembly	19	<u>3303-043</u>	2	Seat, Valve Spring - Outer
2	<u>3303-265</u>	2	Nut, Flange	20	<u>3303-017</u>	2	Seal, Valve Stem
3	<u>3303-360</u>	4	Bolt, Flange	21	<u>3303-581</u>	2	Bolt, Stud
4	0217-726	1	Plug, Spark	22	<u>3303-485</u>	1	Head, Cylinder
5	<u>3303-260</u>	2	Nut, Tappet Adjusting	23	<u>3303-582</u>	2	Bolt, Stud
6	<u>3303-246</u>	2	Screw, Tappet Adjusting	24	<u>3303-388</u>	2	Bolt, Flange
7	<u>3303-495</u>	2	Valve, Rocker Arm	25	<u>3303-512</u>	1	Pipe, Inlet - Assembly
8	<u>3303-496</u>	1	Shaft, Rocker Arm	26	<u>3303-384</u>	2	Bolt, Flange
9	<u>3303-486</u>	1	Holder, Camshaft	27	<u>3303-331</u>	2	Nut, Flange
10	<u>3303-274</u>	4	Washer, Sealing	28	<u>3303-504</u>	1	Valve, Inlet
11	<u>3303-584</u>	4	Nut, Flange	29	<u>3303-511</u>	1	Insulator, Carburetor - Assembly
12	<u>3303-594</u>	6	Pin, Dowel	30	<u>3303-310</u>	2	Bolt, Stud
13	<u>3303-497</u>	1	Shaft, Rocker Arm - Exhaust	31	<u>3303-505</u>	1	Valve, Exhaust
14	<u>3303-493</u>	1	Camshaft	32	<u>3303-487</u>	1	Gasket, Cylinder Head
15	<u>3303-044</u>	4	Cotter, Valve				
16	<u>3303-042</u>	2	Retainer, Valve Spring				
17	<u>3303-507</u>	2	Spring, Valve - Inner				
18	<u>3303-506</u>	2	Spring, Valve - Outer				

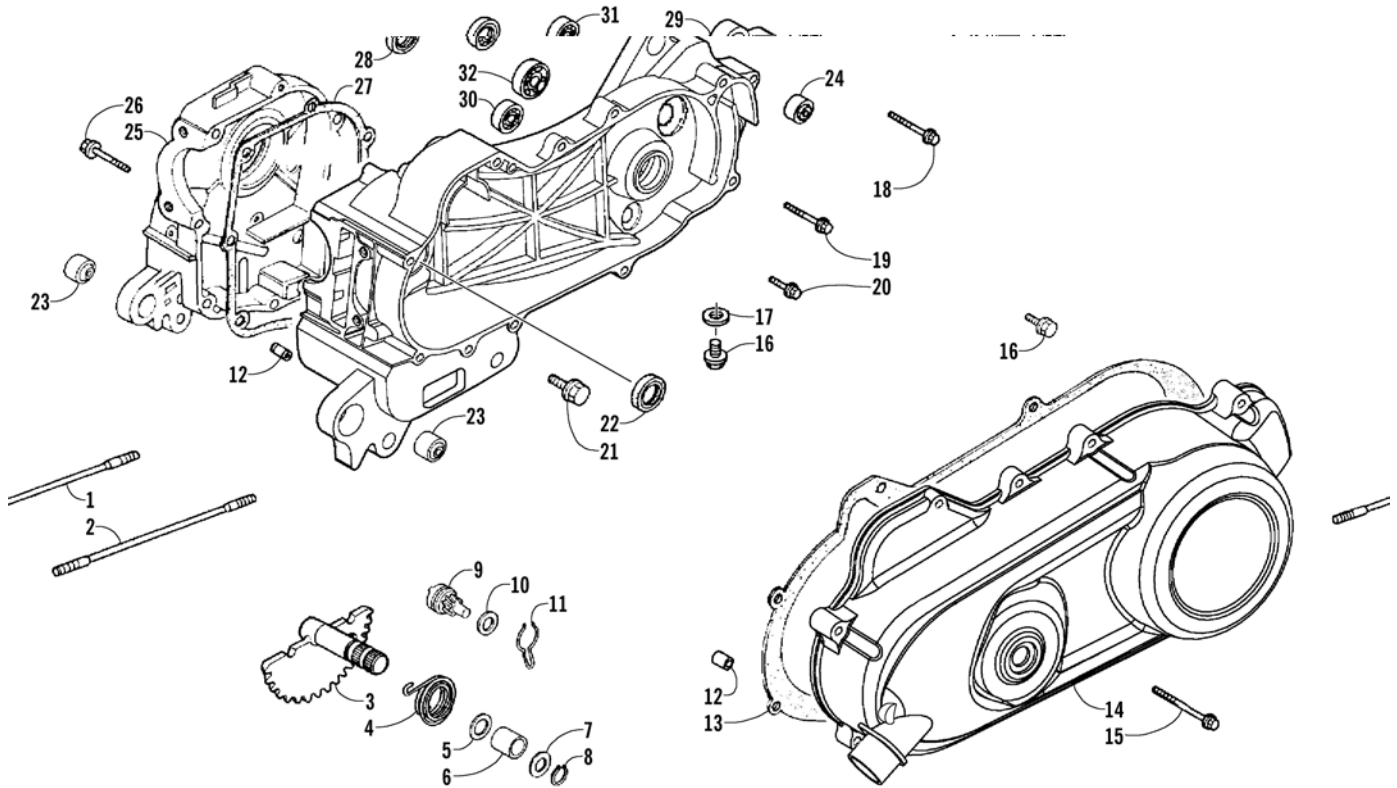
* The Complete Engine Assembly Includes a Starter Motor Assembly and Carburetor.



CRANKCASE COVER ASSEMBLY

0740-498 *Not a Service Part

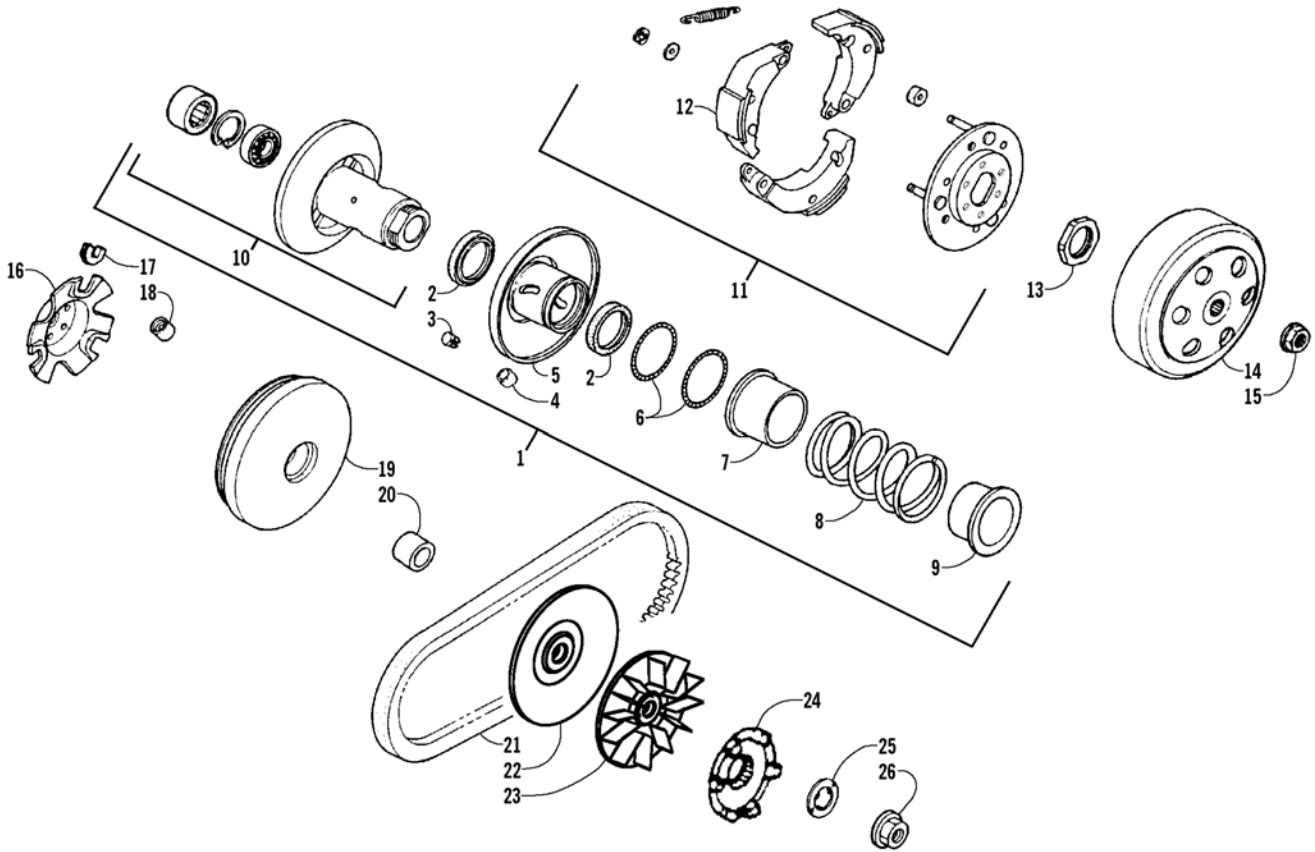
Ref.	Part No.	Qty.	Description	Ref.	Part No.	Qty.	Description
1	<u>3303-050</u>	1	Gauge, Oil Level - Assembly (inc. 2)	7	<u>3303-341</u>	2	Pin, Dowel
2	*	1	¥ O-Ring	8	<u>3303-481</u>	1	Gasket, Crankcase
3	<u>3303-390</u>	4	Bolt, Flange	9	<u>3303-048</u>	1	Screen, Oil Filter
4	<u>3303-388</u>	4	Bolt, Flange	10	<u>3303-049</u>	1	Spring, Oil Filter Screen
5	<u>3303-475</u>	1	Cover, Crankcase (inc. 6)	11	<u>3303-302</u>	1	O-Ring
6	*	1	¥ Seal, Oil	12	<u>3303-021</u>	1	Hole Cap, Tappet Adjusting



CRANKCASE ASSEMBLY

0740-613

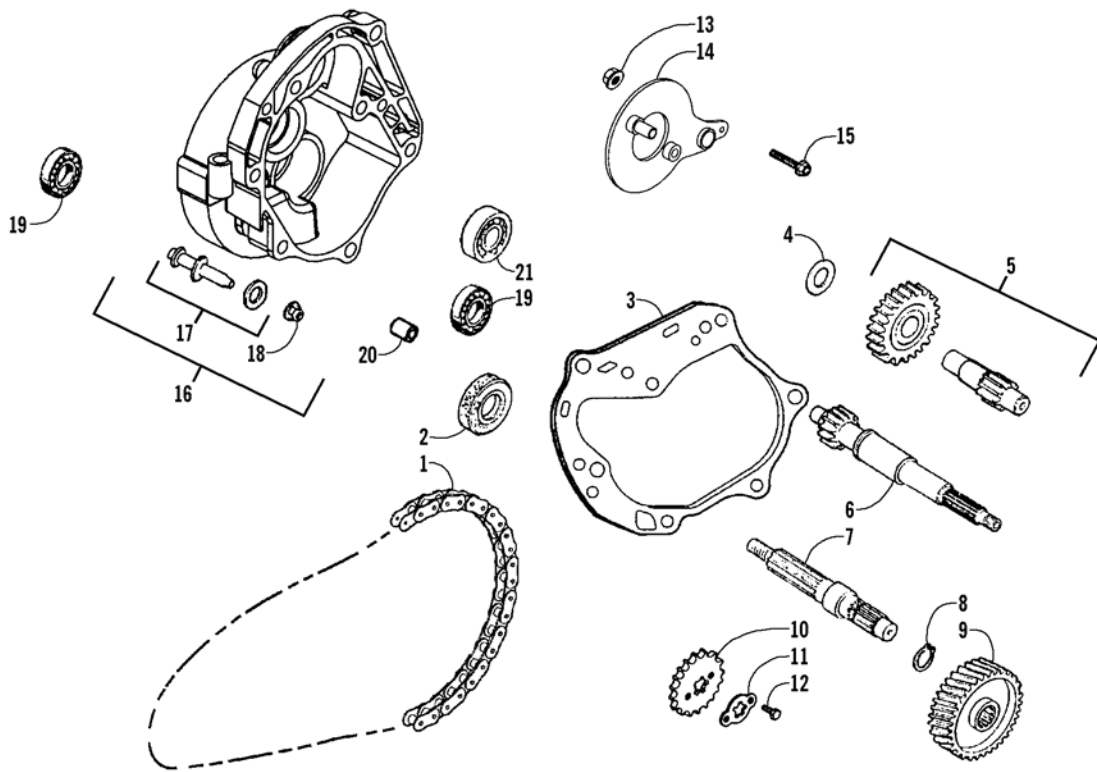
Ref.	Part No.	Qty.	Description	Ref.	Part No.	Qty.	Description
1	<u>3303-579</u>	2	Bolt, Stud	17	<u>3303-591</u>	1	Washer
2	<u>3303-580</u>	2	Bolt, Stud	18	<u>3303-615</u>	5	Bolt, Flange
3	<u>3303-119</u>	1	Spindle, Kick Starter	19	<u>3303-616</u>	2	Bolt, Flange
4	<u>3303-122</u>	1	Spring, Return - Kick Starter	20	<u>3303-381</u>	2	Bolt, Flange
5	<u>3303-121</u>	1	Collar, Boss - Kick Starter	21	<u>3303-052</u>	1	Bolt, Drain Plug - Assembly
6	<u>3303-120</u>	1	Bushing, Spindle - Kick Starter	22	<u>3303-296</u>	1	Seal, Oil
7	<u>3303-276</u>	1	Washer, Spindle - Kick Starter	23	<u>3303-402</u>	2	Bushing, Rubber - Engine Hanger
8	<u>3303-345</u>	1	Circlip	24	<u>3303-403</u>	2	Bushing, Rubber - Rear Cushion
9	<u>3303-548</u>	1	Gear, Driven - Kick Starter	25	<u>3303-471</u>	1	Crankcase, Set - Right
10	<u>3303-272</u>	1	Washer, Thrust	26	<u>3303-387</u>	1	Bolt, Flange
11	<u>3303-117</u>	1	Spring, Driven - Kick Starter	27	<u>3303-472</u>	1	Gasket, Crankcase - Right
12	<u>3303-341</u>	2	Pin, Dowel	28	<u>3303-600</u>	1	Seal, Oil
	<u>3303-343</u>	2	Pin, Dowel	29	<u>3303-473</u>	1	Crankcase, Set - Left
13	<u>3303-482</u>	1	Gasket, Crankcase Cover - Left	30	<u>3303-596</u>	1	Bearing, Ball
14	<u>3303-476</u>	1	Cover, Crankcase - Left	31	<u>3303-597</u>	1	Bearing, Ball
15	<u>3303-386</u>	8	Bolt, Flange	32	<u>3303-464</u>	1	Bearing, Ball
16	<u>3303-365</u>	2	Bolt, Flange				



CLUTCH ASSEMBLIES

0740-615

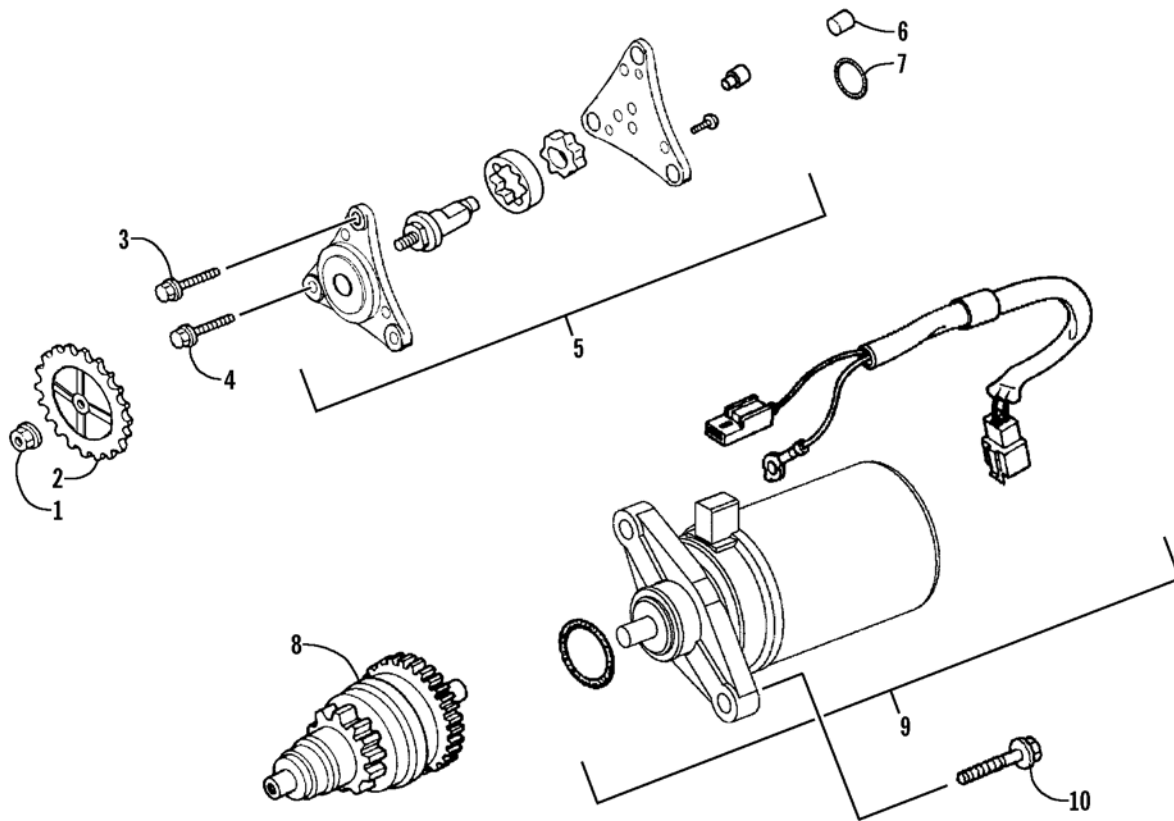
Ref.	Part No.	Qty.	Description	Ref.	Part No.	Qty.	Description
1	3303-536	1	Pulley, Driven - Assembly (inc. 2-10)	14	3303-523	1	Clutch, Outer
2	3303-299	2	¥ Seal, Oil	15	3303-333	1	Nut, Flange
3	3303-540	3	¥ Guide, Pin	16	3303-530	1	Plate, Ramp
4	3303-099	6	¥ Guide, Roller	17	3303-531	3	Slide
5	3303-539	1	¥ Face, Movable Driven	18	3303-529	6	Guide, Roller
6	3303-602	1	¥ O-Ring	19	3303-528	1	Face, Movable
	3303-603	1	¥ O-Ring	20	3303-527	1	Collar, Drive Face
7	3303-543	1	¥ Collar, Spring	21	3303-537	1	Belt, Drive
8	3303-541	1	¥ Spring, Driven Face	22	3303-524	1	Face, Fixed Drive
9	3303-542	1	¥ Collar, Seal	23	3303-525	1	Fan, CVT Cooling
10	3303-538	1	¥ Face, Driven - Assembly	24	3303-547	1	Ratchet, Kick Starter
11	3303-532	1	Face, Drive - Assembly (inc. 12)	25	3303-588	1	Washer
12	3303-535	1	¥ Weight, Clutch	26	3303-328	1	Nut, Castle
13	3303-584	1	Nut				



TRANSMISSION ASSEMBLY

0740-618 *Not a Service Part

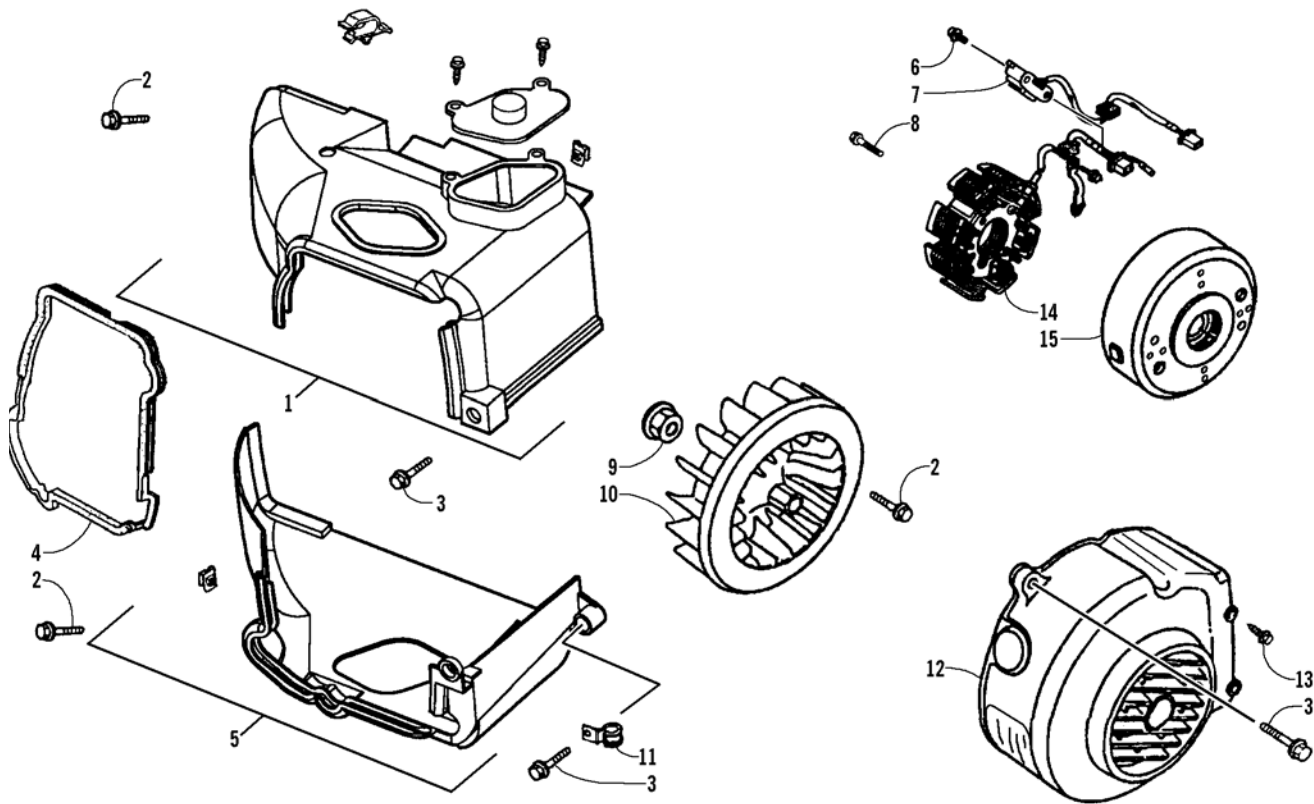
Ref.	Part No.	Qty.	Description	Ref.	Part No.	Qty.	Description
1	<u>3303-425</u>	1	Chain, Drive	12	<u>3303-307</u>	2	Bolt
2	<u>3303-300</u>	1	Seal, Oil	13	<u>3303-270</u>	1	Nut, Flange
3	<u>3303-522</u>	1	Gasket, Transmission Case A	14	<u>3303-185</u>	1	Bracket, Engine Hanger - Assembly
4	<u>3303-273</u>	1	Washer	15	<u>3303-371</u>	1	Bolt, Flange
5	<u>3303-545</u>	1	Countershaft - Assembly	16	<u>3303-521</u>	1	Case, Transmission - Set (inc. 17-18)
6	<u>3303-544</u>	1	Driveshaft	17	*	2	¥ Pin, Brake Shoe Anchor - Assembly
7	<u>3303-105</u>	1	Shaft, Final	18	*	2	¥ Nut, Flange
8	<u>3303-344</u>	1	Circlip	19	<u>3303-596</u>	2	Bearing, Ball
9	<u>3303-546</u>	1	Gear, Final	20	<u>3303-343</u>	2	Pin, Dowel
10	<u>3303-107</u>	1	Sprocket, Drive	21	<u>3303-458</u>	1	Bearing, Ball
11	<u>3303-108</u>	1	Plate				



STARTER MOTOR AND OIL PUMP ASSEMBLIES

0740-616

Ref.	Part No.	Qty.	Description	Ref.	Part No.	Qty.	Description
1	<u>3303-331</u>	1	Nut, Flange	6	<u>3303-594</u>	2	Pin, Dowel
2	<u>3303-509</u>	1	Gear, Driven - Oil Pump	7	<u>3304-461</u>	2	O-Ring
3	<u>3303-383</u>	2	Bolt, Flange	8	<u>3303-558</u>	1	Pinion, Starter - Assembly
4	<u>3303-384</u>	3	Bolt, Flange	9	<u>3303-556</u>	1	Motor, Starter - Assembly
5	<u>3303-508</u>	1	Pump, Oil - Assembly	10	<u>3303-619</u>	1	Bolt, Flange



STATOR, FLYWHEEL, AND ENGINE SHROUD ASSEMBLIES

0740-617

Ref.	Part No.	Qty.	Description	Ref.	Part No.	Qty.	Description
1	3303-520	1	Shroud B - Assembly	9	3303-333	1	Nut, Flange
2	3303-382	6	Bolt, Flange	10	3303-515	1	Fan, Cooling
3	3303-384	3	Bolt, Flange	11	3303-443	1	Clip, Vacuum Tube
4	3303-517	1	Seal, Shroud	12	3303-516	1	Cover, Fan - Assembly
5	3303-518	1	Shroud A - Assembly	13	3303-606	2	Screw, Self-Tapping
6	3303-308	1	Bolt	14	3303-554	1	Stator
7	3303-562	1	Sub-Harness	15	3303-551	1	Flywheel
8	3303-619	2	Bolt, Flange				

RELATED ITEMS

2006 ATV 50 Y-6 Youth - DVX

Red (Model No. A2006KSA2BUSR)

Cat Green (Model No. A2006KSA2BUSZ)

0436-431 Cover, Green and Black
2257-449 Manual, Illustrated Parts
2257-315 Manual, Operator's (E)

2257-316 Manuel d'utilisation (F)
0436-400 Oil, 2-Cycle (Injection)
0436-447 Windshield

